

Instructions for Use for the Control Unit Toby ZW4 Aquastat

Continuously controlling aquastat for high / low setting control

The control unit is designed to be mounted on the oil control Toby DVR5. In conjunction with the thermostat, automatic control of a heating appliance is achieved, between low and high setting.

The control unit ZW4 works without power and / or battery.

Operation

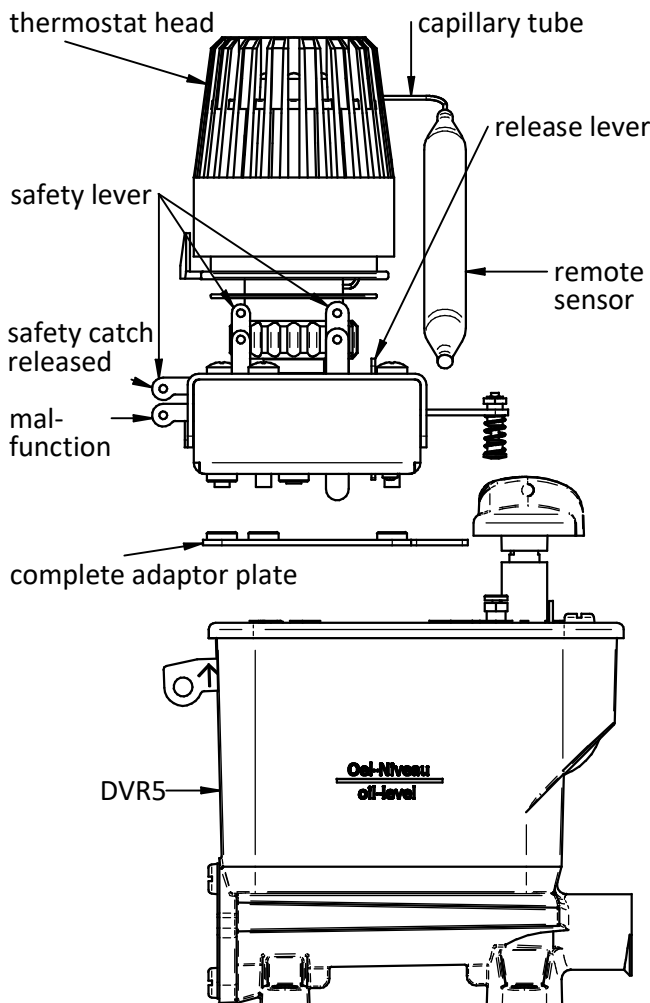
Using the thermostat head with the remote sensor, the operator can set the desired temperature; the set temperature is always a limit temperature.

When exceeding the limit temperature by several degrees, the oil supply is immediately cut by the safety lever (see illustration below).

To release the safety catch, the safety lever is pulled into the upper position and locked into place. It must be borne in mind that the remote sensor must be cooler than the set limit temperature.



ZW 4 Aquastat



Technical information

Manufacturer: Toby HC GmbH, CH-2545 Selzach

Type designation: ZW4

Dimensions (LxWxH) including DVR5:
127x70x225[mm]

Temperature range: 60-90[°C]
40-70[°C]
20-50[°C]
10-40[°C]

Remote sensor: \varnothing 11[mm], 157[mm] long
Capillary tube: 2[m]

Subject to technical modifications

Instructions for Aquastat, English version: K.Nr. 2.337