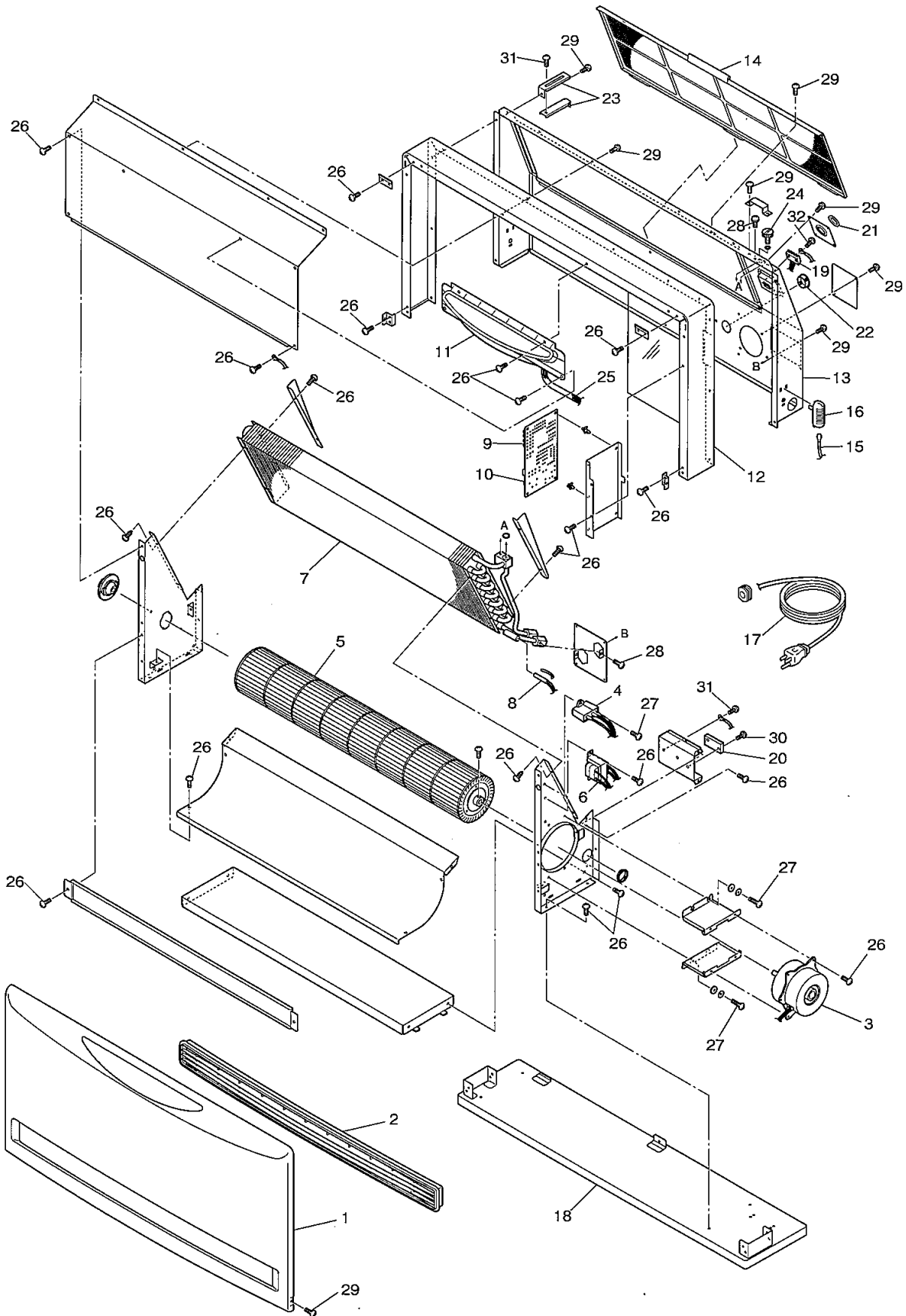


PARTS DESCRIPTION



HC-20

REF # PART # PART NAME

| | | |
|----|----------|-------------------------------|
| 1 | 20477046 | Front panel |
| 2 | 20477032 | Louver assembly |
| 3 | 20477069 | Fan motor assembly/ Capacitor |
| 4 | 20477003 | Fan capacitor |
| 5 | 20477004 | Fan cross assembly |
| 6 | 20477017 | Transformer |
| 7 | 20477044 | Heat exchanger assembly |
| 8 | 20477074 | Water temp. thermistor |
| 9 | 20477012 | Main circuit board |
| 10 | 20478379 | Fuse 2 (5A) |
| 11 | 20477076 | Lamp circuit board |
| 12 | 20477020 | Top / Side panel |
| 13 | 20477066 | Rear panel |
| 14 | 20477040 | Filter |
| 15 | 20477073 | Room temp. thermistor |
| 16 | 20477075 | Room thermistor cover |
| 17 | 20477035 | Power supply cord |
| 18 | 20477029 | Base assembly |
| 19 | 20477014 | Switch terminal block |
| 20 | 20477015 | Power terminal block |
| 21 | 20477039 | Rubber bushing |
| 22 | 20455850 | Hole plug |
| 23 | 20477062 | Wall bracket |
| 24 | 20477051 | Bleeder screw |
| 25 | 20477052 | FFC ribbon cable |
| 26 | 20474050 | Screw C |
| 27 | 20474051 | Screw D |
| 28 | 20476459 | Screw B7 |
| 29 | 20455862 | Screw S2 |
| 30 | 20477084 | Screw F5 |
| 31 | 20476454 | Screw B4 |
| 32 | 20477086 | Screw D4 |
| 33 | 20477095 | Instruction manual |
| 34 | 20477099 | Carton |