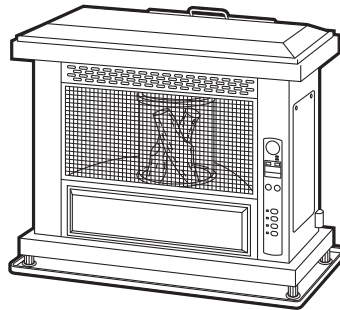
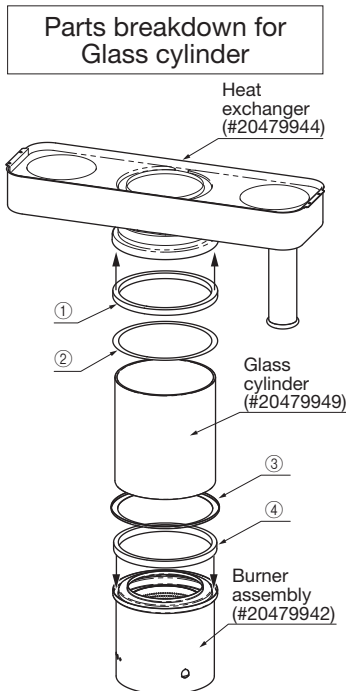


# How to replace the new Glass cylinder gasket for Laser 60AT

NOTE: The Glass cylinder gasket set should be used only for Laser 60AT.

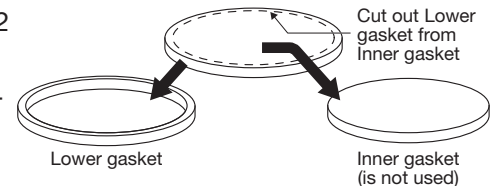


Laser 60AT



No.	Parts name	Size	Q'ty
<b>Upper gasket set (#20479985)</b>			
①	Upper gasket		1
②	Upper gasket holder		1
<b>Lower gasket set (#20479984)</b>			
③	Lower gasket holder		1
④	Lower gasket		1

NOTE: Lower gasket is pre-cut and consist of 2 parts (Lower gasket and Inner gasket). The Lower gasket is needed for replacement, however, the Inner gasket is not used and can disposed of.



## How to install the new Glass cylinder gaskets into Burner assembly and Heat exchanger

- 1** Remove old gaskets.
- 2** Place the Lower gasket (④) into the Burner assembly first.
- 3** Carefully press Lower gasket holder (③) onto the Lower gasket (④) and install Glass cylinder onto Burner assembly. It is not necessary to press holder down all the way.
- 4** With Heat exchanger upside down, install Upper gasket (1) into gasket groove of Heat exchanger.
- 5** Slightly press Upper gasket holder (②) onto Upper gasket (①) and install Heat exchanger onto Glass cylinder. The Upper gasket holder (②) securely holds in place the Upper gasket (①).

NOTE: Use caution when installing the Upper gasket holder (②) and Lower gasket holder (③) as they are sensitive to pressure, it is not necessary to press the holders all the way in, this will happen when the Heat exchanger is installed.

NOTE: It is necessary to replace all these parts at the same. The Lower gasket (④), Upper gasket (①), Lower gasket holder (③) and Upper gasket holder (②) can only be used once, because the gaskets are compressed when Glass cylinder is seated.

NOTE: There may occurred the burning smell of the brand new gaskets for approx. 10 - 15 minutes after pre-heating. (Individual results may vary.)

**TOYOTOMI U.S.A., INC**

604 Federal Road, Brookfield, CT 06804

www.toyotomiusa.com